

## Specification

Model	TR-D4S5
Image sensor	1/2.7" CMOS 4MP
Resolution	4MP (2688x1520)
Frame rate	4MP@15fps
Day/Night Mode	Mechanical ICR
Sensitivity	0.005Lux (F1.8) / 0Lux (IR on)
IR range	up to 25 m
Focal length (mm)	2.8 / 3.6
WDR	D-WDR
Video compression	H.264 / H.265
Bitrate	8Mbps
Audio	None
Power supply	PoE (802.3af) / 12V DC
PoE Class	3
Power consumption	DC: 6.4 W PoE: 6.5 W
Dimensions (mm)	ø106 x 73.5
Net weight (g)	370
Protection level	IP66
Operating conditions	-40°C ... +60°C

## Camera Package

IP camera	1 pc
User manual	1 pc
Mounting kit	1 pc

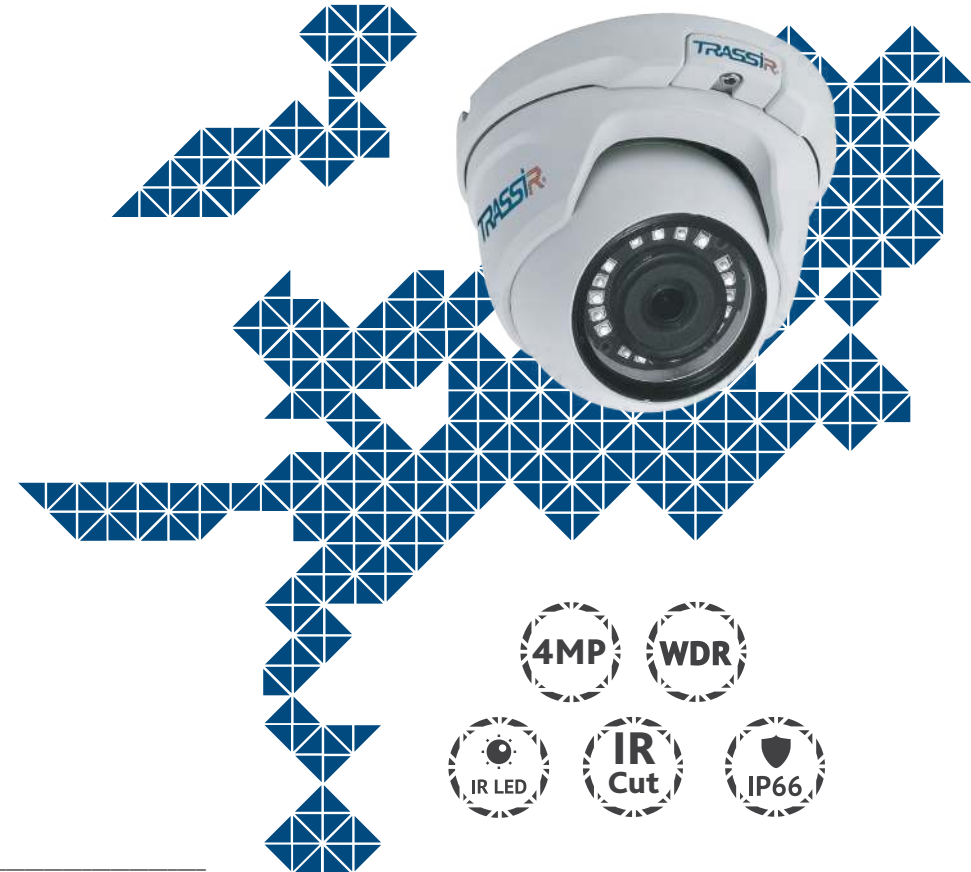
## Technical support

www: helpdesk.trassir.com  
mail: helpdesk@trassir.com

## TR-D4S5

4MP Sphere IP camera

**TRASSIR**



Data \_\_\_\_\_ Stamp \_\_\_\_\_

Here is the confirmation form for warranty assurance

**Note: read user manual before using**  
Website: [www.trassir.com](http://www.trassir.com)  
For any inquiry: [info@trassir.com](mailto:info@trassir.com)

## Introduction

Congratulations with purchasing of IP camera TR-D4S5.

Please read User Manual before using a camera.

## Key features

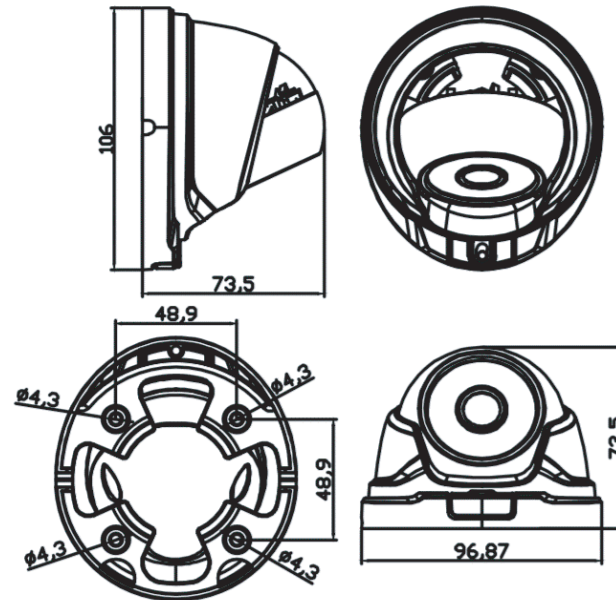
- Support codec H.265
- Wide Dynamic Range (D-WDR)
- Digital Noise Reduction (3D-DNR)
- Automatic Day/Night Mode
- Mechanical IR cut filter
- Power supply 12V DC or PoE

## Connecting

To get started with TRASSIR IP camera you are required to have a PC connected to the local network with Windows installed and Internet Explorer version 8 or higher.

1. Connect IP camera to the network.
2. When the camera is connected through a switch which doesn't support PoE, connect 12V AC adapter to power jack.

## Dimensions



## Notes:

Power supply should meet the requirements: output voltage, current, polarities and working temperature. Pay attention that you have lightning conductor while using IP camera during a storm or plug off power connector.

Pay attention to temperature requirements of IP camera. Do not use the camera in extremely hot or cold temperatures (see the specifications for operating conditions).

Do not expose the camera to heaters.

Do not aim the camera at the sun or at the strong light. It causes damages to the camera.

## Manual setting of network parameters.

IP camera and PC should be in one local network to connect to each other. In this case IP address of a camera, PC or any other devices shouldn't match each other.

IP camera has the following default settings:

- IP address: 192.168.1.188
- Subnet mask: 255.255.0.0
- Gateway: 192.168.1.1
- HTTP-port: 80
- username: admin
- password: admin

Example of network settings for PC to connect to IP-camera:

- IP address: 192.168.1.10;
- Subnet mask: 255.255.0.0.

There are 3 options to set up your camera:

1. Change IP address of a camera manually.  
Start your browser, connect to IP camera and enter your username and password. Choose appropriate menu item and change network settings of IP camera.
2. Set IP address of a camera using fast configuration utility which could be downloaded from [www.trassir.com](http://www.trassir.com).
3. Change IP camera settings using TRASSIR professional software.

Find detailed instruction on camera settings in user manual which could be downloaded from our website [www.trassir.com](http://www.trassir.com).